

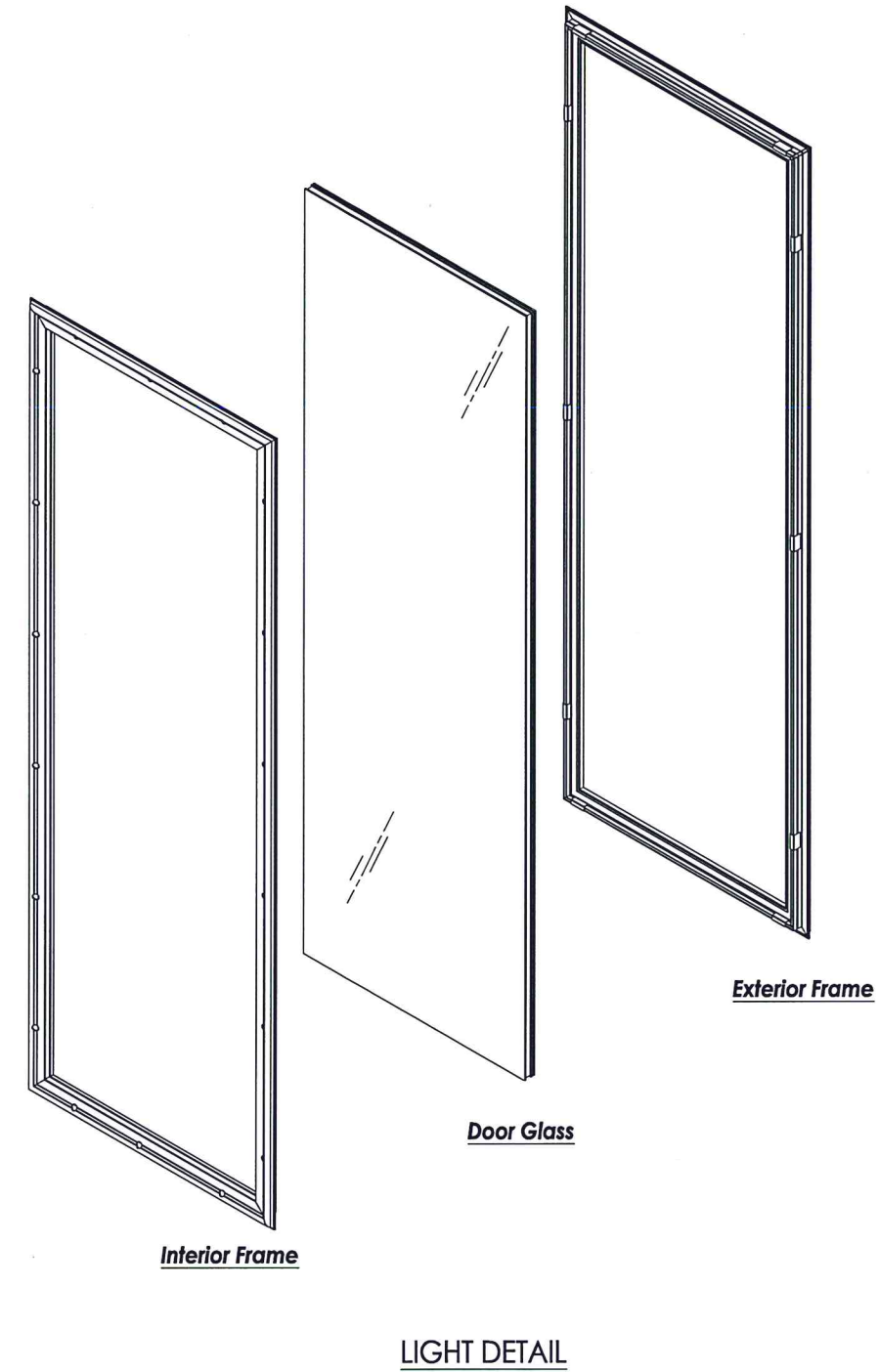
\\dc01\ywb\clients\ODL, Inc. PERMANENTVA - Florida Product Approvals\FL-15260 Exterior Door Components - Lite Frame Inserts\C - Drawings\FL 15260 (2020) R9\FL-15260.6-7.dwg

ODL / WESTERN REFLECTIONS
EXTRUDED PVC
DOORGLASS ASSEMBLY
FOR GLAZING UP TO A 3'0 x 8'0 DOOR PANEL
"NON-IMPACT"

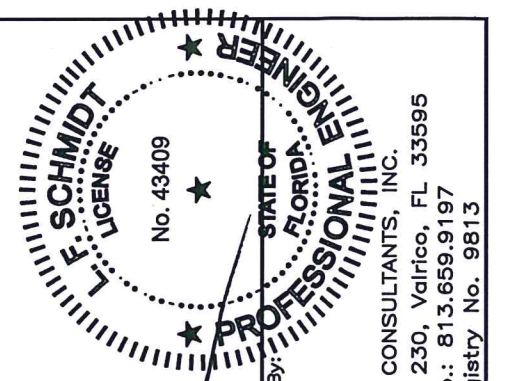
GENERAL NOTES

1. This product has been evaluated and is in compliance with the 7th Edition (2020) Florida Building Code (FBC) structural requirements excluding the High Velocity Hurricane Zone (HVHZ).
2. When used in areas requiring wind borne debris protection this product is required to be protected with an impact resistant covering that complies with FBC Sections 1609.1.2 & R301.2.1.2.
3. This product is approved for use as a substitute doorglass assembly in conjunction with a glazed fiberglass side hinged swing door and/or fixed sidelite possessing a comparable current Florida Statewide product approval.
4. The design pressure (DP) rating shall be the lesser of the DP rating shown on sheet 1 of this approval or the DP rating shown in the glazed fiberglass side hinged swing door or fixed sidelite approval being used.
5. The door panel and lite opening size shall not exceed the sizes shown in this approval or the glazed fiberglass side hinged swing door or fixed sidelite approval being used.
6. The accompanying door approval shall be a glazed door product meeting the following minimum requirements:
SINGLE GLAZED FIBERGLASS DOOR:
 - A. 1-3/4" minimum panel thickness.
 - B. Fiberglass face sheet: 0.087" min. thickness (Fy min. = 4,025 psi)
 - C. Stiles: Pine 1.53" x 1.18"
 - D. Rails: Composite 1.53" x 0.94"
 - E. Foam Core (FBC Approved): Polyurethane (min. 2.0 lbs./cu.ft) or Polystyrene (min. 1.0 lbs./cu.ft)

TABLE OF CONTENTS	
SHEET#	DESCRIPTION
1	Typical elevations, design pressures and general notes
2	Horizontal and vertical cross sections
3	Anchoring locations & bill of materials

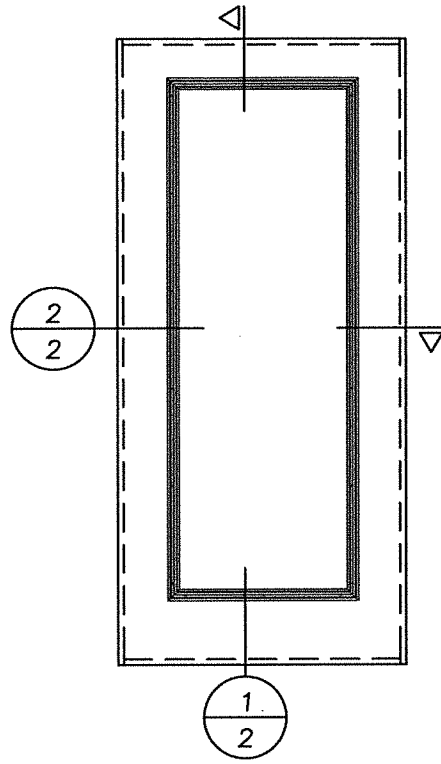


DESIGN PRESSURE RATING (PSF)		
GLAZING TYPE	POSITIVE	NEGATIVE
1" INSUL.	+60.0	-60.0

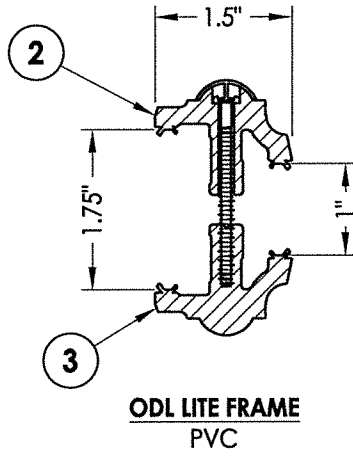
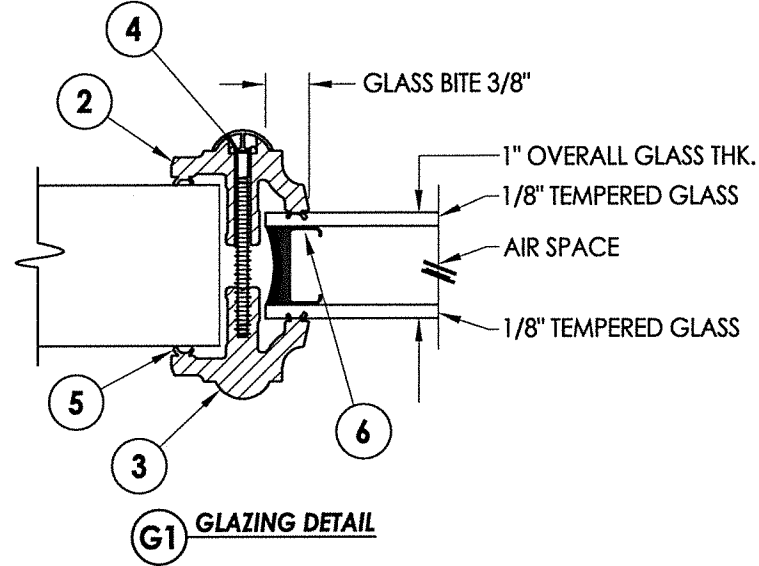
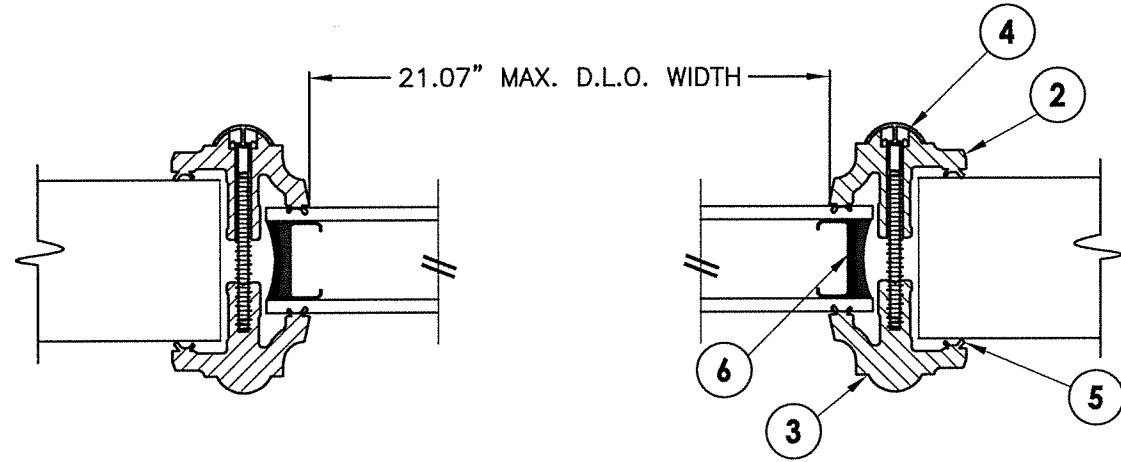


August 07, 2020
 Documents Prepared By:
 Lyndon F. Schmidt
 P.E. No. 43409
 R.W. BUILDING CONSULTANTS, INC.
 P.O. Box 230, Vairico, FL 33595
 Phone No.: 813.659.9197
 FBPE Registry No. 9813

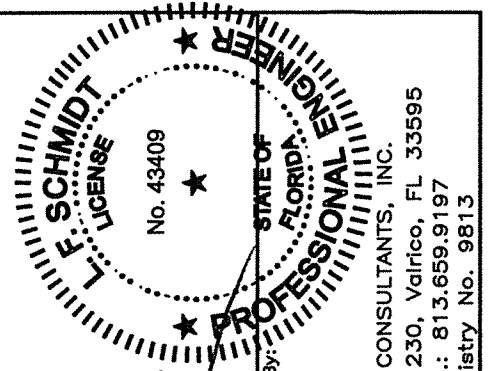
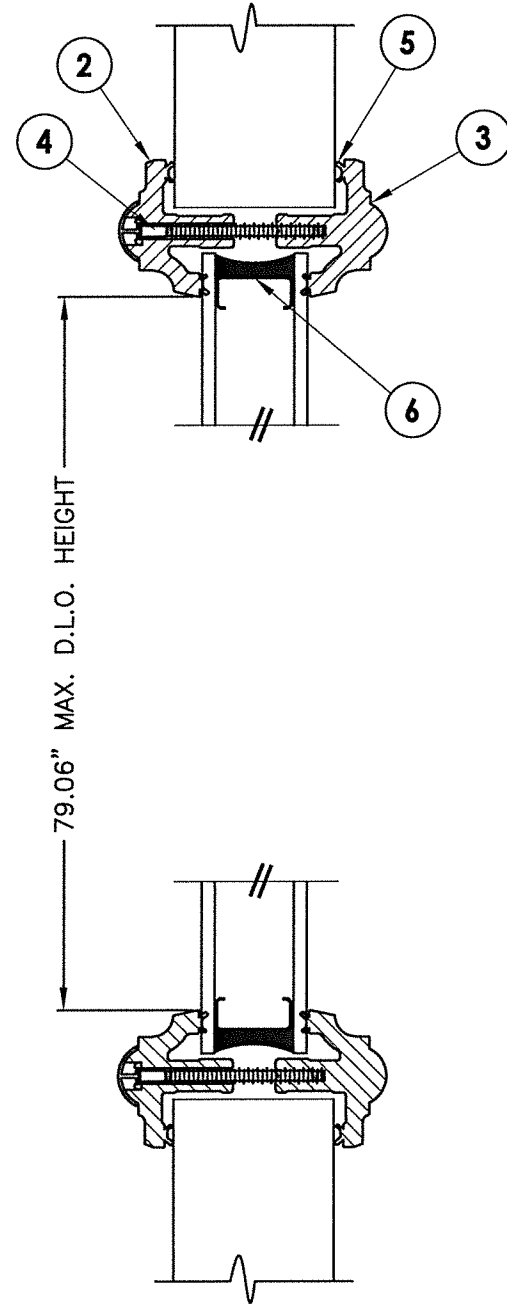
PRODUCT: ODL LITE FRAME		PART OR ASSEMBLY: TYPICAL ELEVATIONS, DESIGN PRESSURES & GENERAL NOTES	
NO.	DATE	BY	REVISIONS
3	8/05/20	DAC	UPDATE TO 7TH ED. (2020) FBC
2	9/26/17	JK	UPDATE TO 6TH ED. (2017) FBC
1	3/28/15	JK	UPDATE TO 5TH ED. (2014) FBC
DATE: 2/29/12			
SCALE: N.T.S.			
DWG. BY: JK			
CHK. BY: LFS			
DRAWING NO.: FL-15260.6			
SHEET 1 OF 3			



2
2 HORIZONTAL CROSS SECTION



1
2 VERTICAL CROSS SECTION



August 07, 2020
 Documents Prepared By:
 Lyndon F. Schmidt
 P.E. No. 43409

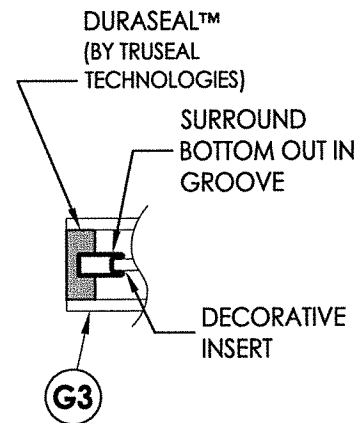
PRODUCT: ODL LITE FRAME
 PART OR ASSEMBLY: HORIZONTAL AND VERTICAL CROSS SECTIONS

NO.	DATE	REVISIONS	BY
3	8/05/20	UPDATE TO 7TH ED. (2020)	FBC DAC
2	9/26/17	UPDATE TO 6TH ED. (2017)	FBC JK
1	3/28/15	UPDATE TO 5TH ED. (2014)	FBC JK

DATE: 2/29/12
 SCALE: N.T.S.
 DWG. BY: JK
 CHK. BY: LFS
 DRAWING NO.: FL-15260.6
 SHEET 2 OF 3

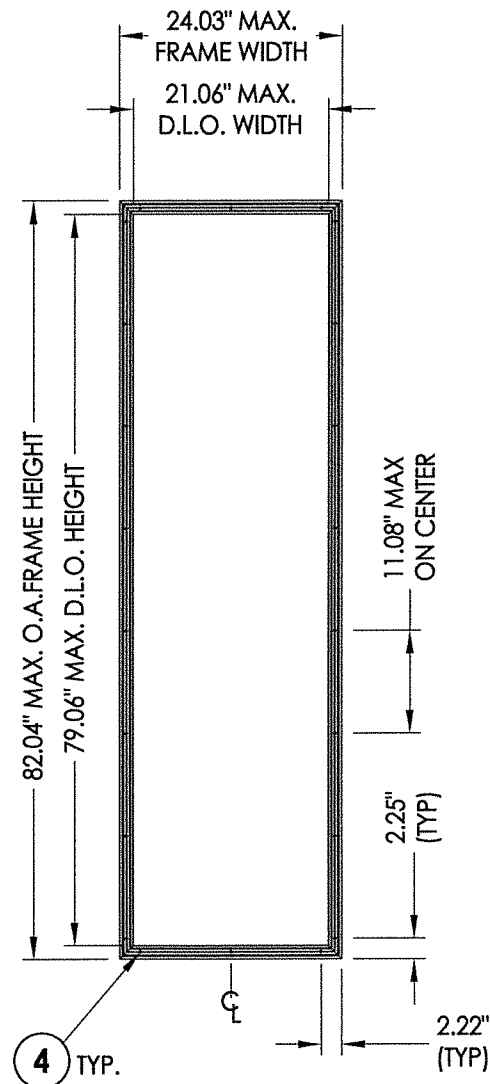
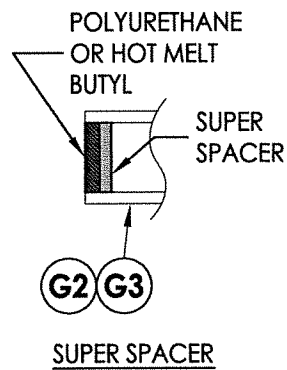
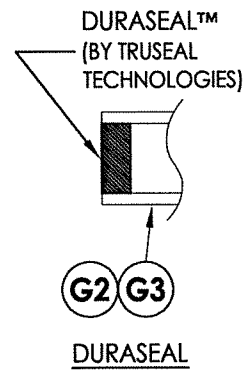
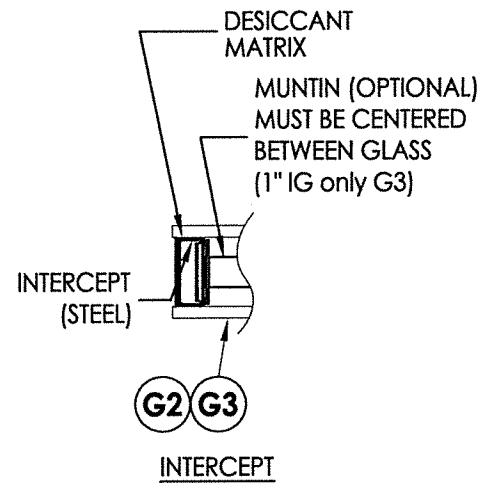
RW BUILDING CONSULTANTS, INC.
 P.O. Box 230, Valrico, FL 33595
 Phone No.: 813.659.9197
 FBPE Registry No. 9813

BILL OF MATERIALS		
ITEM #	DESCRIPTION	MATERIAL
1A	ODL LITE FRAME (EXTRUDED PVC)	-
1B	ODL LITE FRAME (EXTRUDED PVC)	-
2	INT. FRAME (EXTRUDED PVC)	-
3	EXT. FRAME (EXTRUDED PVC)	-
4	#8 X 1-1/2" PPH SMS	STEEL
5	CO-EXTRUDED SEAL	PVC
6	ALUM GLASS SPACER	ALUM

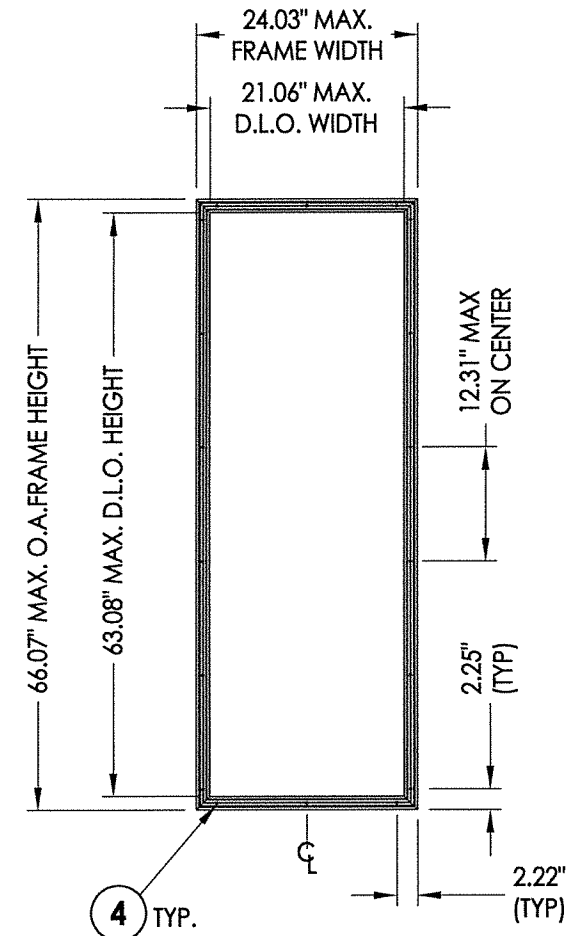


DECOSEAL

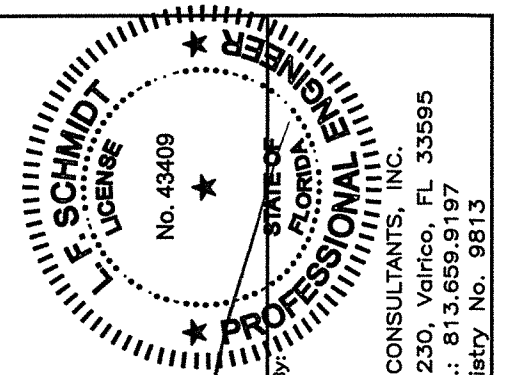
Decoseal glazing option may be installed in ODL Frame with max overall width of 24.03" and max overall height of 50.5".



1A ODL LITE FRAME
Install in 8'-0" door panel



1B ODL LITE FRAME
Install in door panels up to 8'-0" max.



August 07, 2020

Documents Prepared By:
Lyndon F. Schmidt
P.E. No. 43409

RW BUILDING CONSULTANTS, INC.
P.O. Box 230, Vairico, FL 33595
Phone No.: 813.659.9197
FBPE Registry No. 9813

PRODUCT: ODL LITE FRAME	
PART OR ASSEMBLY: ANCHORING LOCATIONS & BILL OF MATERIALS	
NO.	DATE
3	8/05/20
2	9/26/17
1	3/28/15
DATE	2/29/12
SCALE:	N.T.S.
DWG. BY:	JK
CHK. BY:	LFS
DRAWING NO.:	FL-15260.6
SHEET	3 OF 3